

1576 MONUMENT BOX

Heavy duty

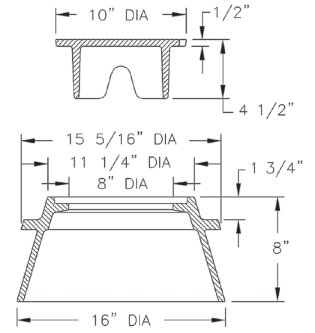
Options

Special lettered covers

Bolted assembly

Covers with 2" and 4" skirt depth

Adjusting risers



1577 MONUMENT BOX

Heavy duty

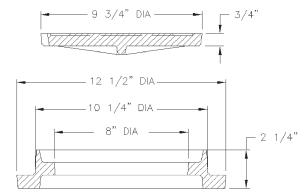
Reversible frame

For slab construction see 2885

Accepts 2975 covers

Options

2885 — 1 or 2 bolt assembly

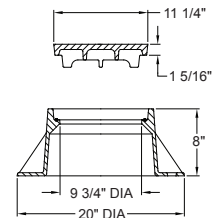
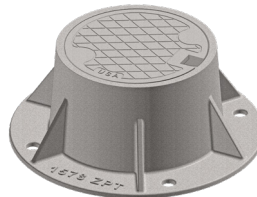


1578 MONUMENT BOX

Heavy duty

Options

Watertite assembly



Supplied By:

**TRENCHDRAIN
SUPPLY**

877-903-7246

www.trenchdrainsupply.com

